

Joystick Control Installation for BOLT Electric Systems



PN: JOY1000

For information on a complete BOLT Electric Trim Tab System, please visit BennettTrimTabs.com/BOLT

Installation Instructions

Items Included

- Joystick Control with 3ft. cable
- 4 Nylon thumb nuts

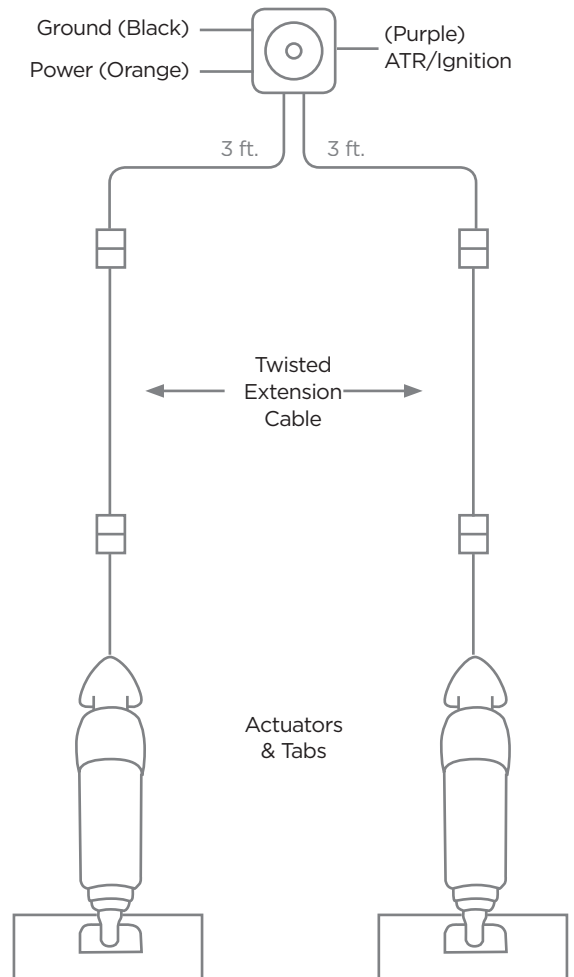
Tools Required

- Power drill
- 3/16" Drill bit
- 2.5" Hole saw

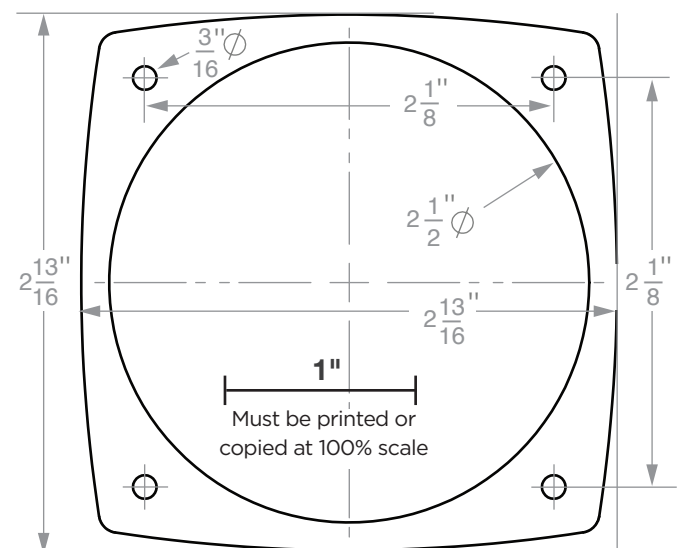
- Before drilling any holes, read the entire instructions.
- Using the included template (below), mark the locations for the 3/16" holes and the 2.5" center hole.
- Check carefully to ensure there are no obstructions behind the console before drilling.
- Using a 2.5" diameter hole saw, drill the center hole. Use a 3/16" drill for the four mounting stud holes.
- Place the Joystick Control into the console, feeding the cables through the 2.5" center hole while inserting the four mounting studs into each of the four 3/16" holes.
- Once the Joystick Control is properly seated, tighten the four provided thumb nuts (do not over-tighten).
- Plug the Joystick Control cable marked with the red band to the port black and white twisted extension cable from the BOLT Trim Tab System. Note: Some systems may use a blue and yellow twisted extension cable.
- Plug the Joystick Control cable marked with the green band to the starboard black and white twisted extension cable from the BOLT Trim Tab System. Note: Some systems may use a blue and yellow twisted extension cable.
- Connect the orange wire from the Joystick Control to (+) 12V (20A) power, and the black wire to ground.
- Connect the purple wire from the Joystick Control to the ignition to enable ATR (Auto Tab Retraction). When the ignition is powered off, the trim tabs will automatically retract (For approximately 12 seconds, even if the tabs are already in a full up position.)

Have questions? We're here to help. Visit BennettTrimTabs.com or call (866)894-1626.

Wiring Diagram

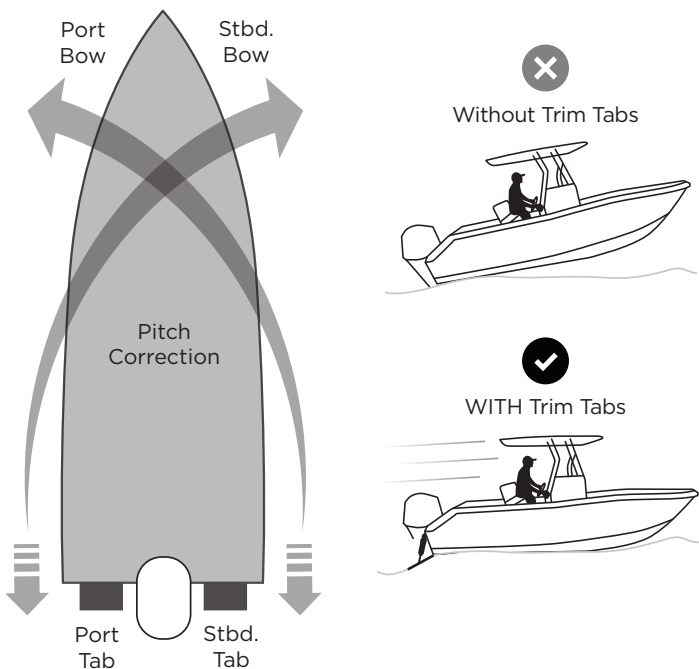


Drilling Template



Properly sized trim tabs improve the performance of your boat by adjusting the running angle of your vessel. Bennett Marine trim tabs help you get on plane faster, correct listing, improve visibility, and increase your fuel efficiency and performance.

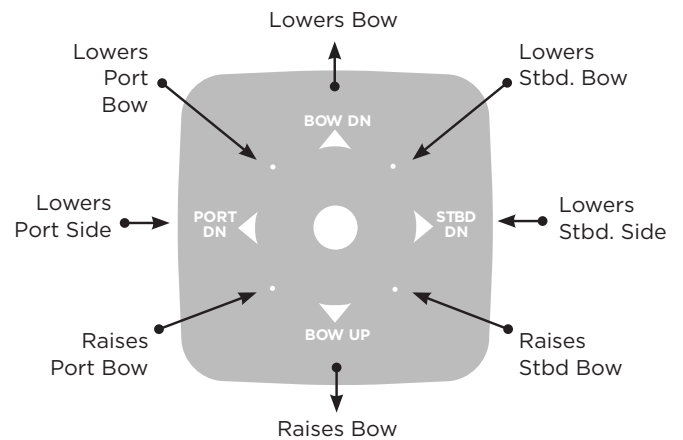
How Trim Tabs Work



When the tabs are deployed downward, the water force on the trim tab surface creates upward pressure, raising the stern and lowering the bow. The port trim tab lowers the starboard bow, and the starboard trim tab lowers the port bow.

- Get up on plane quickly, and at lower speeds
- Increase performance and fuel efficiency
- Increase visibility and safety
- Adjust the boat's attitude for changes in speed, sea conditions, and shifting weight
- Correct listing and porpoising

Operating the Joystick Control



Trim tabs are easy to use and after just a few times using will become second nature. The concept is simple but the results are impressive.

Making Small Adjustments

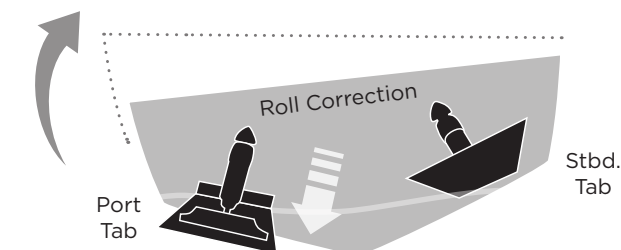
The key to getting the best results from your trim tabs is to operate them in short half-second "bursts" and let the boat react before making another adjustment. The amount of time between corrections is influenced by the size of the trim tabs and the boat's speed.

Learn More About Trim Tabs



Learn more about trim tabs at BennettTrimTabs.com/Guide

- Key features & benefits
- System comparison
- Sizing guidelines
- Install tips, and more



When the port tab is lowered independently, an upward force at the port stern of the boat is created. The inverse applies when lowering the starboard tab independently.

Have questions? We're here to help. Visit BennettTrimTabs.com or call (866)894-1626.